



PURE cool SEMI S

Refrigerated cabinets design for semi-verticals
repeatedly bent glass covers with
single-panel safety glass
alternative: PURE cool SEMI S-line

Energy efficiency with glass and light





Produktline

PURE cool

Semi verticals

SEMI

Single-Glas

S alternative: S-line

Heights

ca. 1675 mm | ca. 1700 mm

Deeps

ca. 990 mm | ca. 1100 mm

Description:

- Frameless side panels with 3-layer insulating glass, made of high-quality tempered laminated safety glass.
- Special glass bending technology allows for an optimized shape of the sliding glass elements, improves the cool air flow within the unit, uses less energy and minimizes the danger of condensation build-up. And incidentally, the lengthening of the display shelves increases their load volume by approximately 15%.
- Stable and sturdy glass panels as the upper portion of the unit – completely made of tempered safety glass – communicate lightness through transparency.
- Unimpeded view of the merchandise through sliding panels and top glass panels that are frameless and without thermal bridges, made of 6 mm tempered safety glass. Continuous form-fit contour with the side panels, eliminating the need for additional profile elements.
- In the top section, the sliding panels are float-mounted and can therefore compensate for any settling of the top section.
- The new LED lighting concept in the top and base sections gives the optical impression of a light and airy refrigerated unit.



Produktline

Semi verticals

Single-Glas

Heights

Deeps

PURE cool

SEMI

S alternative: S-line

ca. 1675 mm | ca. 1700 mm

ca. 990 mm | ca. 1100 mm

LED lighting elements can be optionally integrated:

- on the display shelves
- in the lower guide profile
- as decorative lighting in the top glass element and base section

Further plus points:

- Closing mechanism with a stop function and self-closing feature.
- Sliding elements are installed out of sight, therefore protecting the ball bearings from dirt and making the elements slide more smoothly.
- Tested in a climatic test room for energy efficiency and maintenance of the merchandise temperature.
- The concealed guide and collision protection profiles are integrated in the lower part of the unit.
- The removable upper grip portion of the 2-part grip concept eliminates the need for the oldable panel function to enable cleaning.
- No additional top panels to clean.
- Easy, hygienic cleaning of the glass surfaces.

Produktline
Semi verticals
Single-Glas
Heights
Deeps

PURE cool

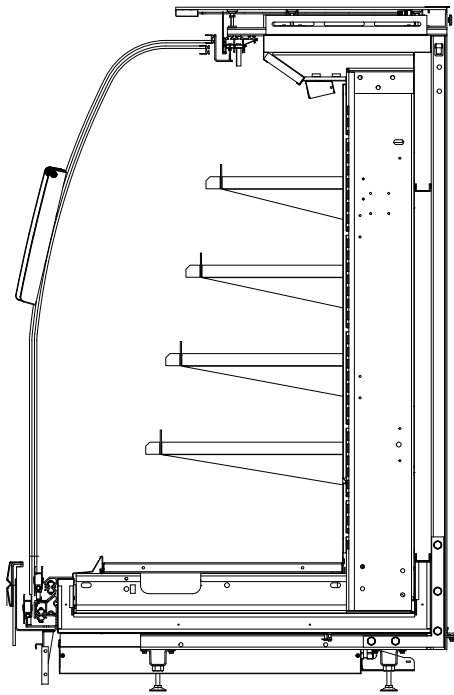
SEMI

S alternative: S-line

ca. 1675 mm | ca. 1700 mm

ca. 990 mm | ca. 1100 mm

SEMI S



SEMI S LINE

